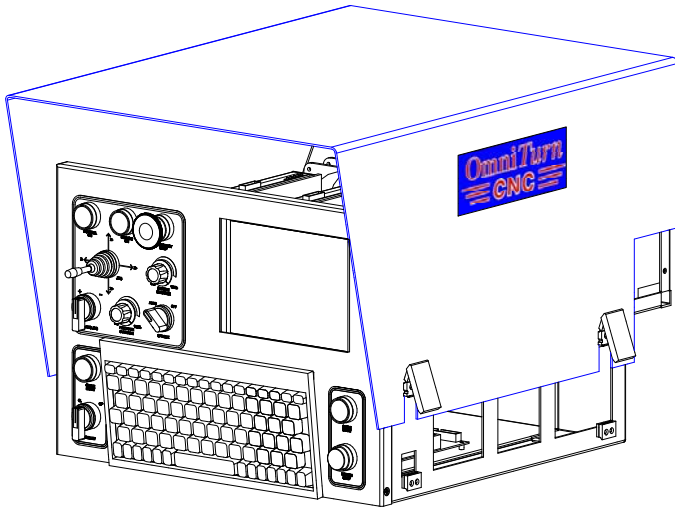
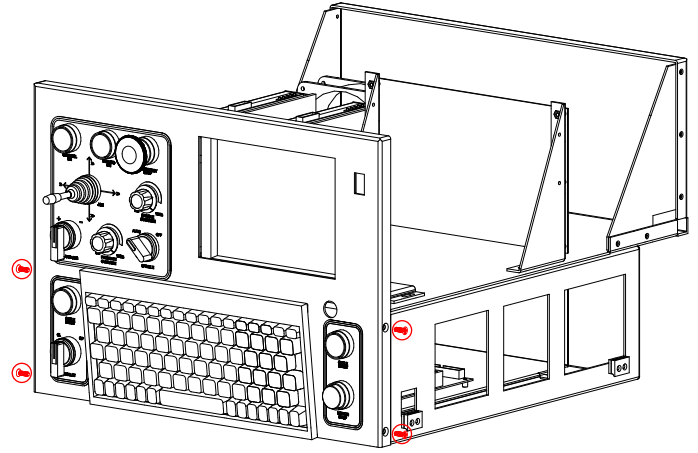


OmniTurn - Trouble shooting guide, G4 CNC

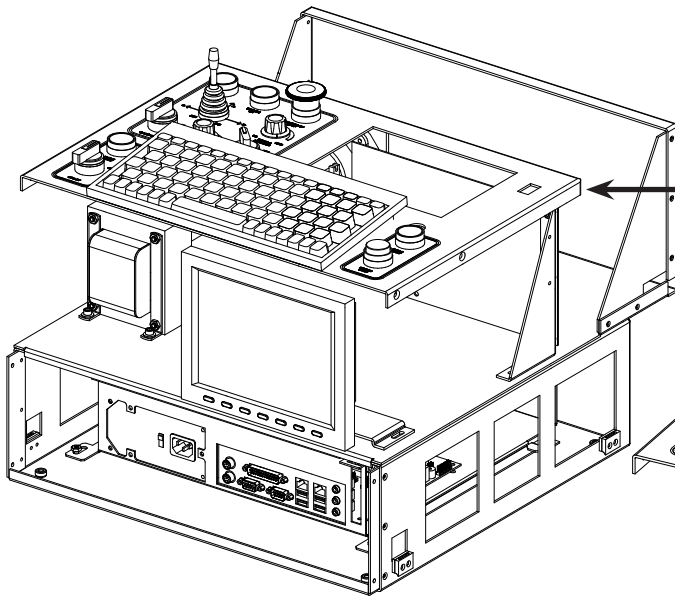
To Disassemble the CNC Control



Un-plug power cord, then remove the blue cover.



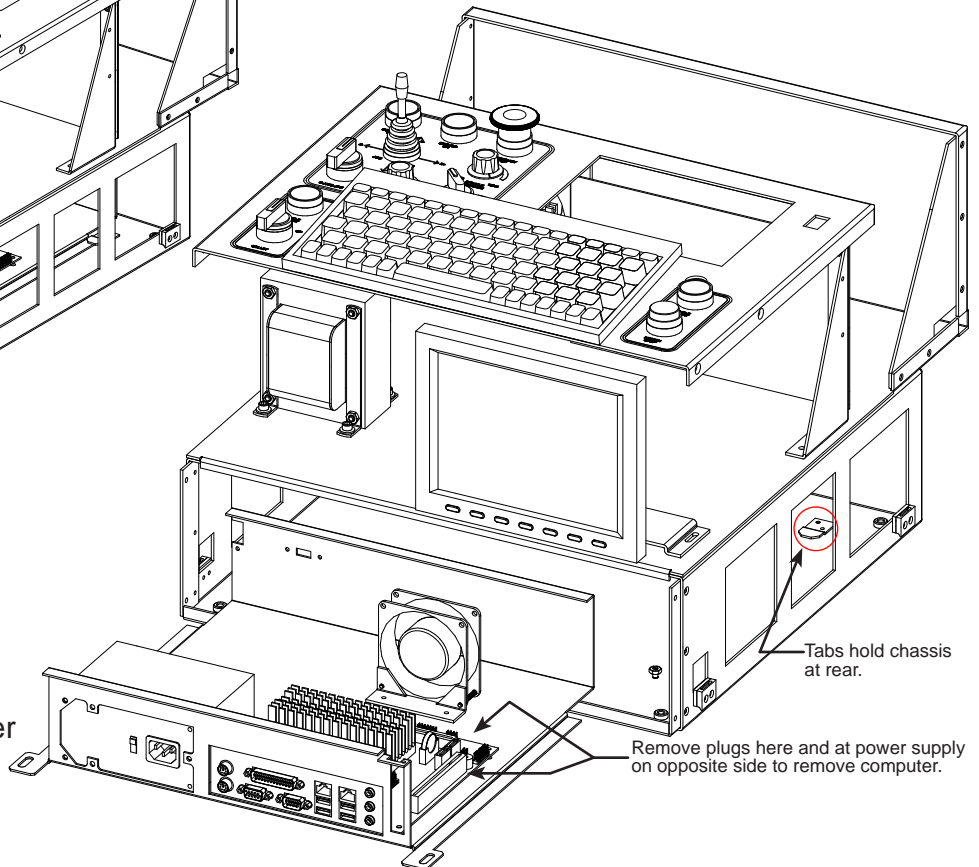
Remove four screws holding front panel.



It is not necessary to disconnect cables to front-panel.
Stow panel gently on top of components as shown at left.

The computer is held in with hex-nuts at the front; it slides under tabs at the rear.

NOTE: Three plugs must be disconnected before removing the computer, two on headers indicated at right, and one power supply connector near power supply.



Tabs hold chassis at rear.

Remove plugs here and at power supply on opposite side to remove computer.