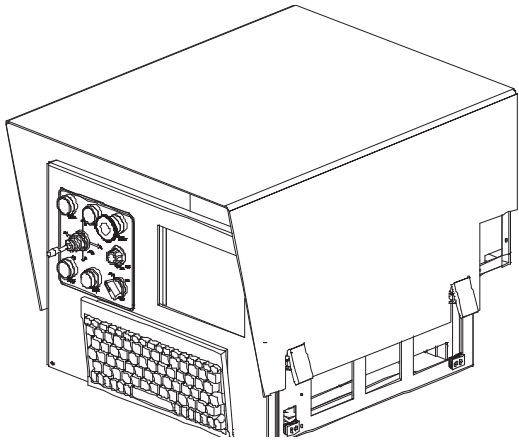
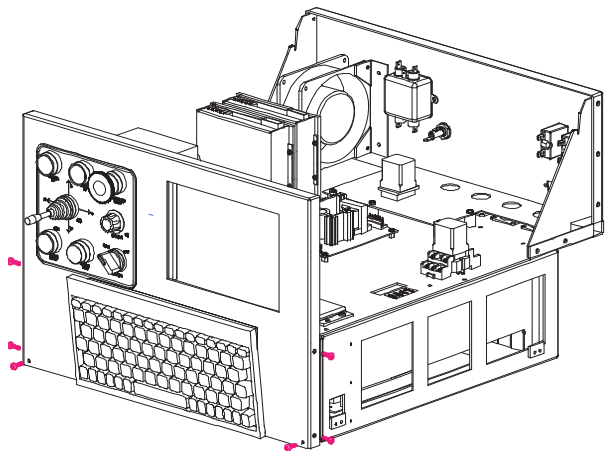


OmniTurn - Trouble shooting guide

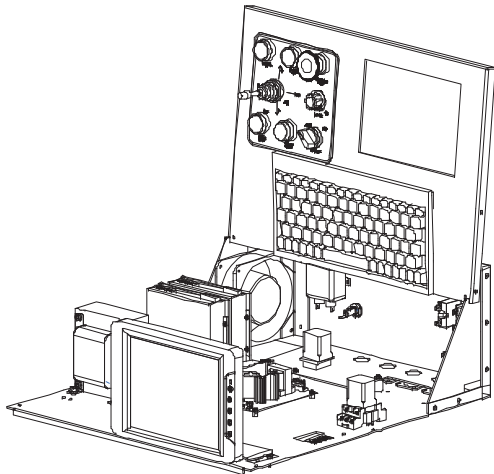
To Disassemble the CNC Control



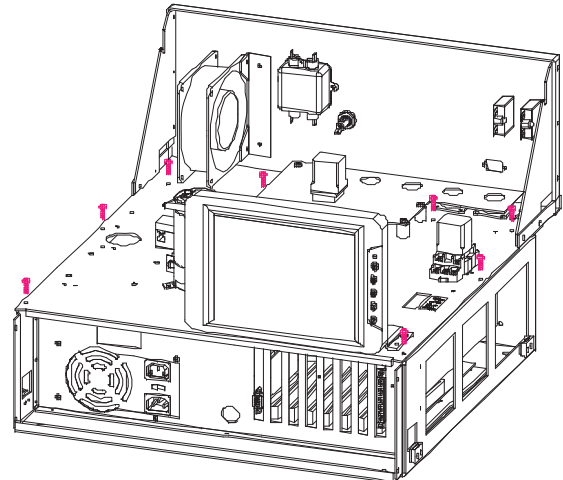
Un-plug power cord, then remove the blue cover.



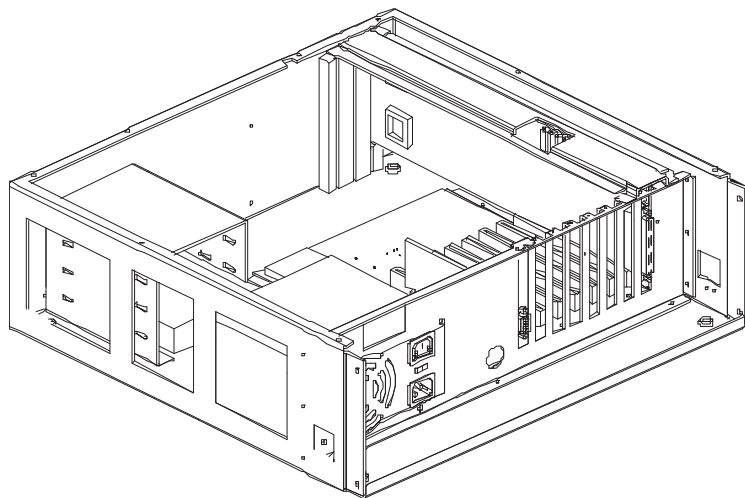
Remove six screws holding front panel.



It is not necessary to disconnect cables to front-panel.
Stow panel in notches at rear of top chassis as shown.



To gain access to the computer, disconnect all cables at rear of CNC, remove eight screws and set chassis aside



“Lower Half”