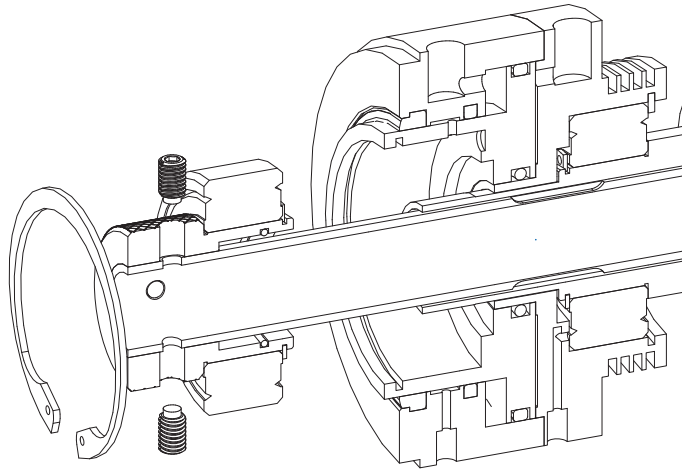


1. Remove existing drawtube (see below)
2. Replace with thru-coolant drawtube
3. Thread Deublin coupler onto drawtube
4. Disconnect existing coolant hose at barbed fitting at hopper (right)
5. Connect thru-coolant hose to barbed fitting at hopper



To remove drawtube:

1. Remove collet from drawtube
2. Remove rear clip-ring from collet closer
3. Slide knurled knob, rear bearing & drawtube out of collet closer.
4. Loosen four dog-point set screws in knurled knob.
5. Slide drawtube out of knurled knob/ bearing assembly.

