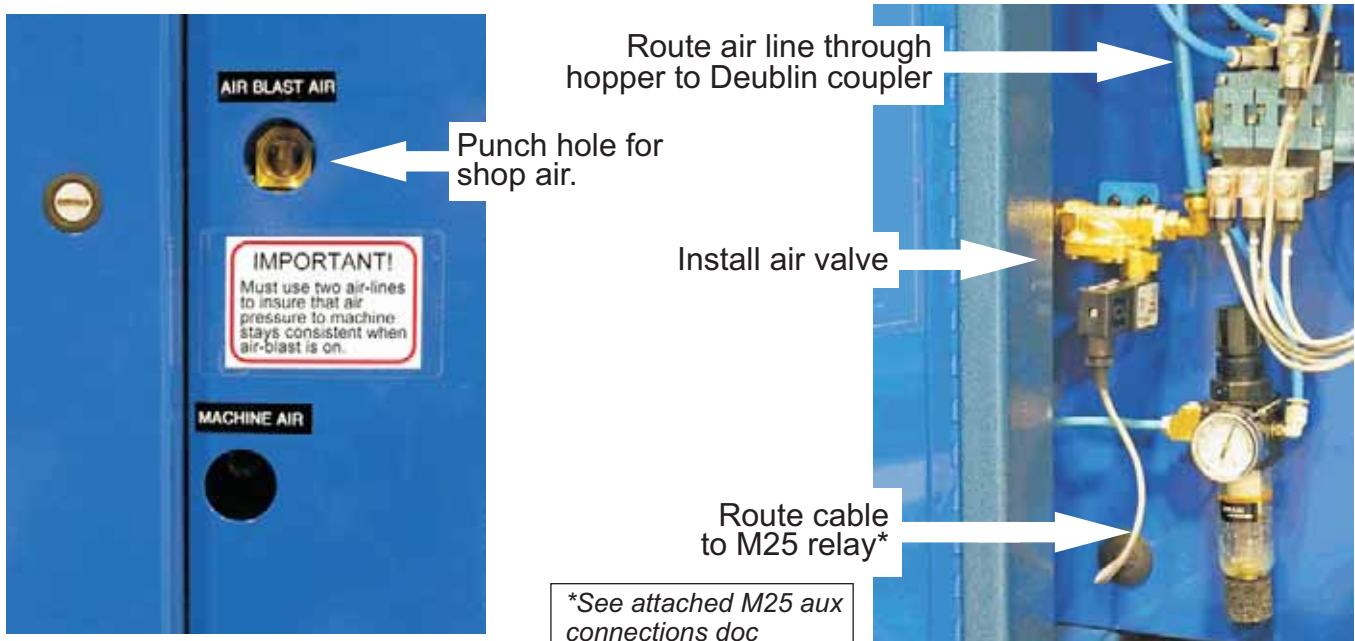
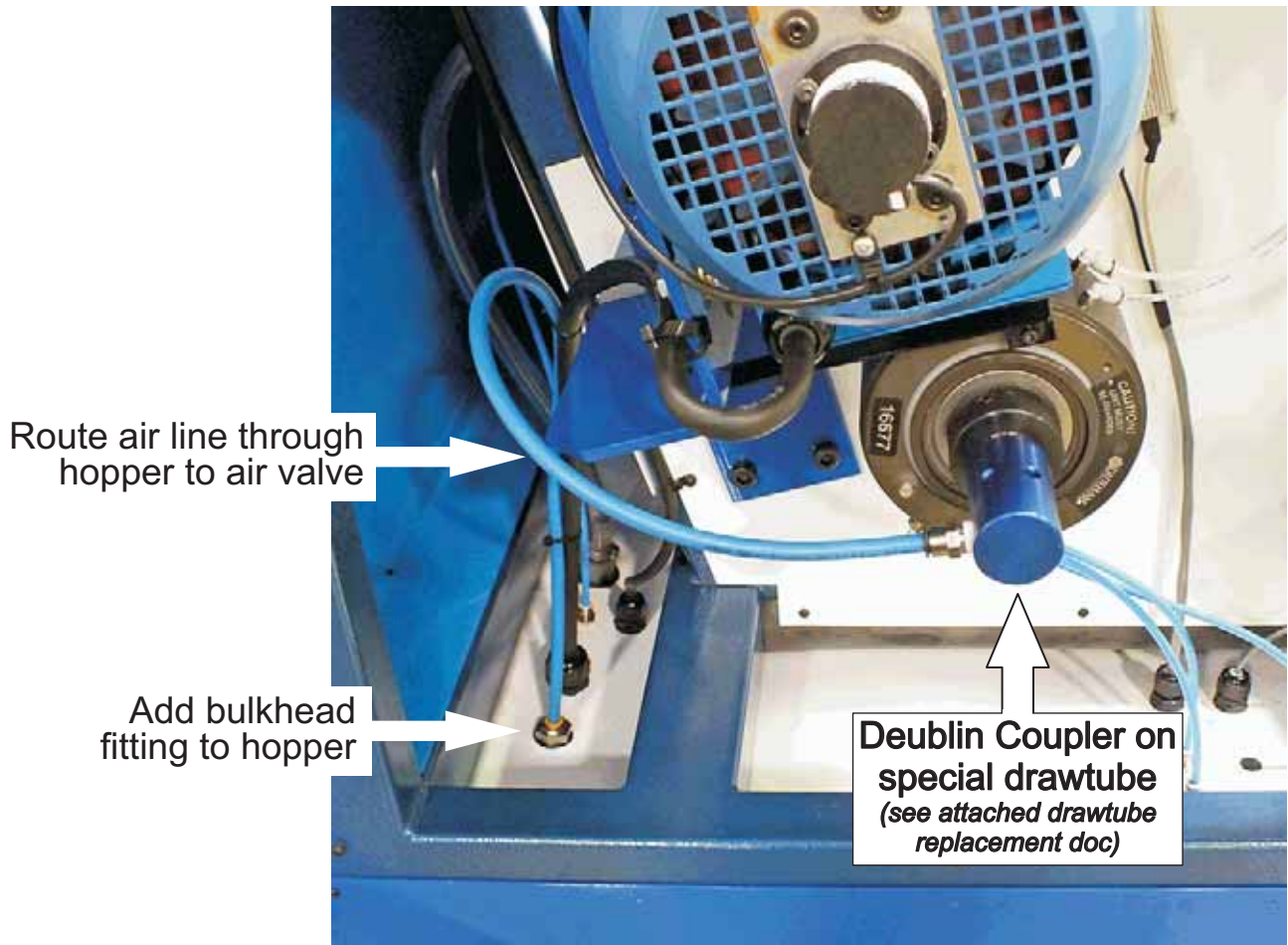
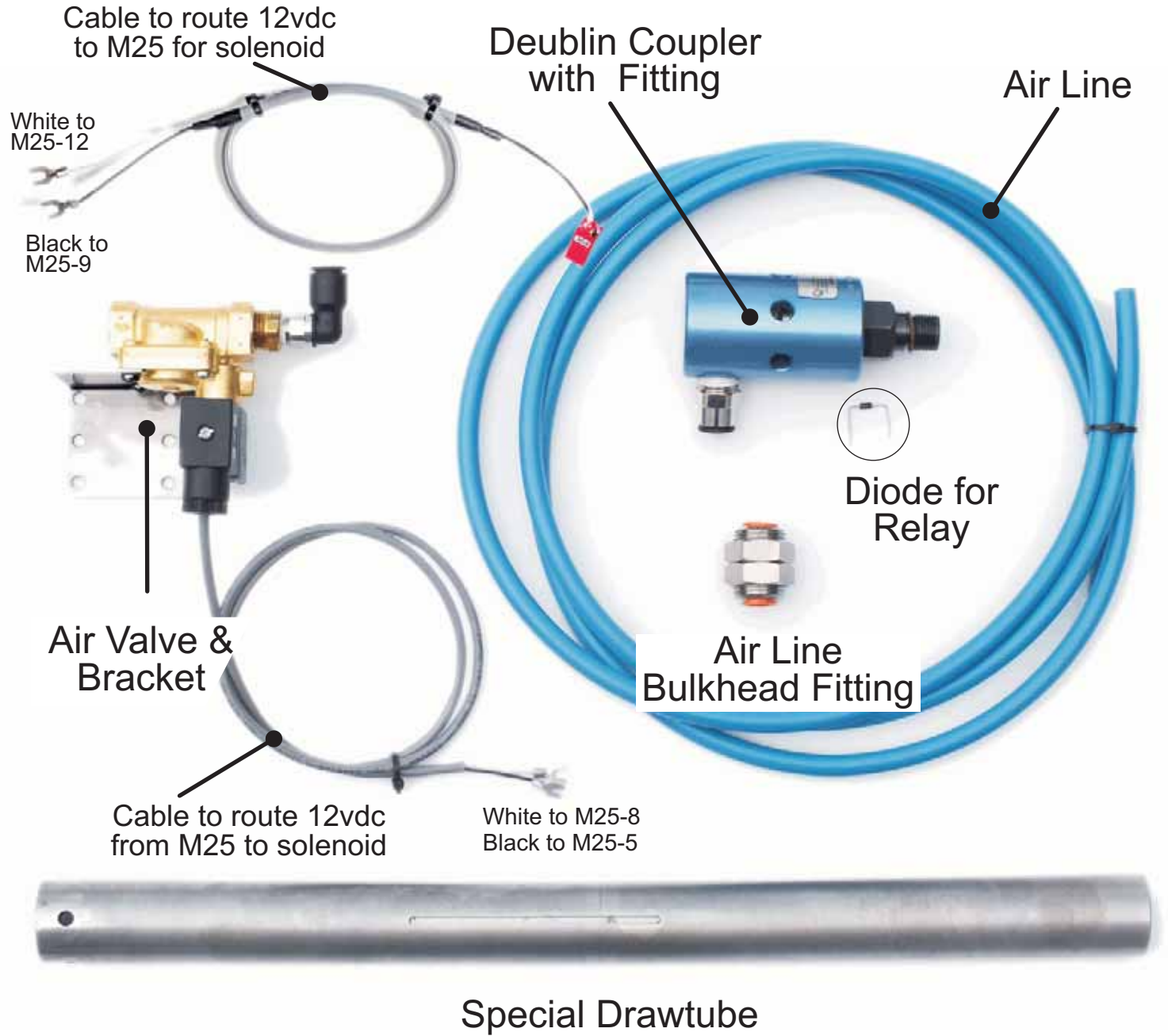


To install Thru-spindle Air Blast Kit on GT-75



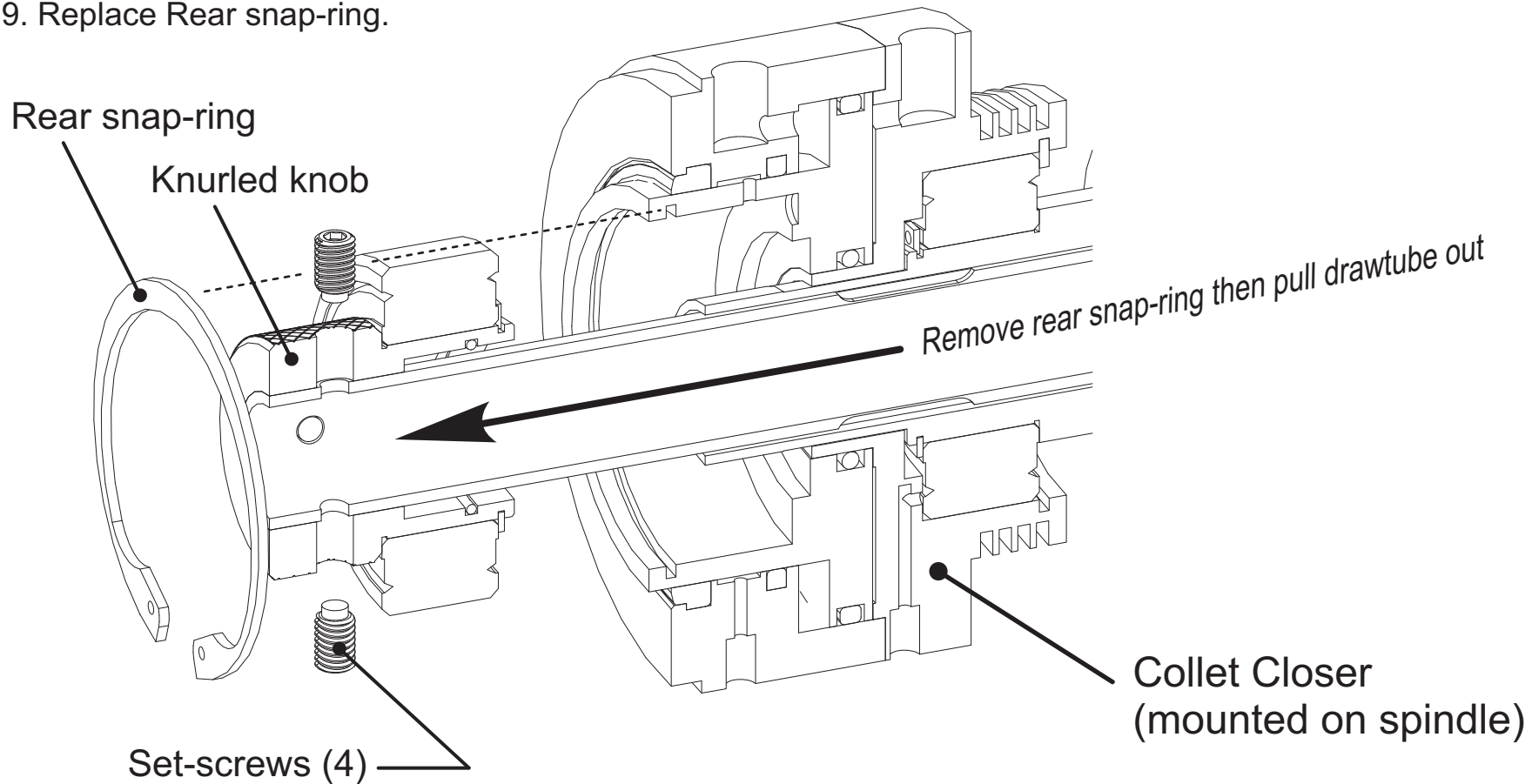
Illustrated Parts List



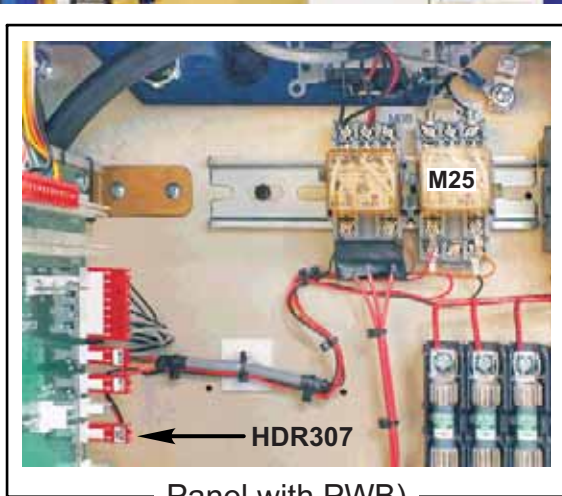
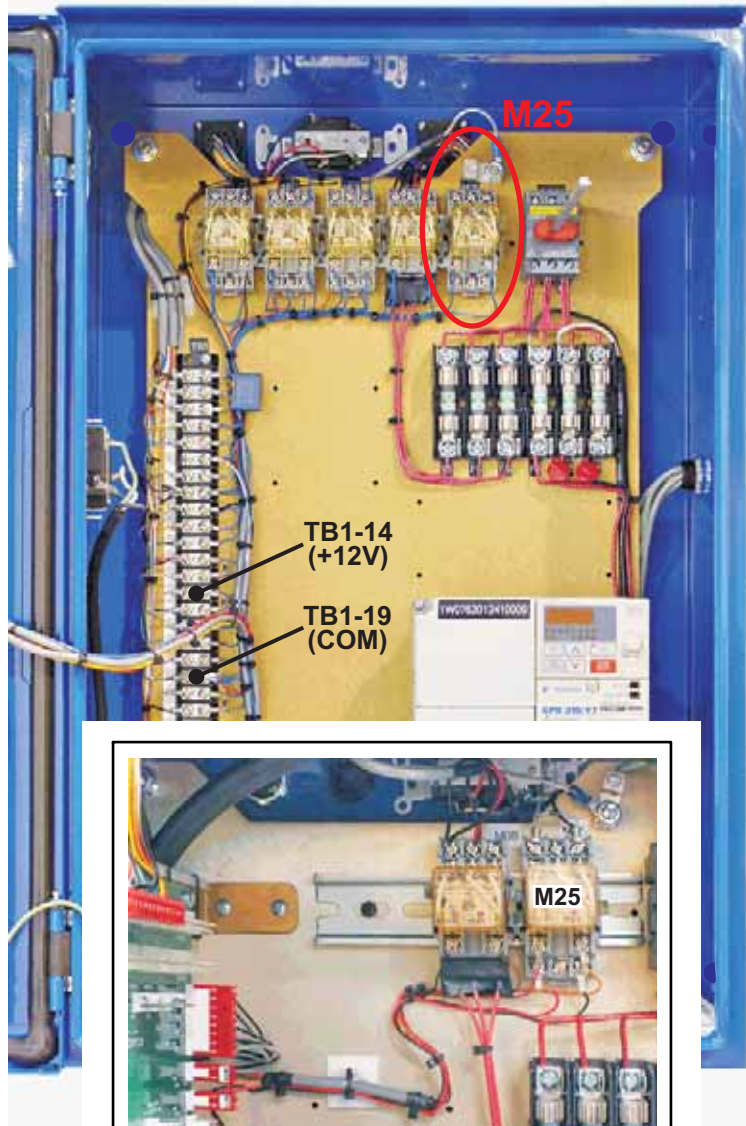
To replace the drawtube:

(Do not remove collet closer from spindle)

1. Remove the collet.
2. Remove the rear snap-ring.
3. Pull knurled knob, rear bearing and drawtube completely out of the collet closer.
4. Remove (4) dog-point set-screws to clear holes in drawtube, then pull drawtube out of knurled knob assembly.
6. Replace drawtube and verify four holes are lined up with set-screw holes
7. Replace set-screws. (Note: these screws fit into clearance holes in the drawtube; *they do not bear on the tube.*)
8. Push drawtube back into collet closer.
9. Replace Rear snap-ring.



Spindle Drive Panel with TB1
(See inset for panel with PWB)



Panel with PWB)

PANELS WITH TB1:
Route wires from TB1-14 and TB1-19 to M25-9 and M25-12 to provide 12VDC.

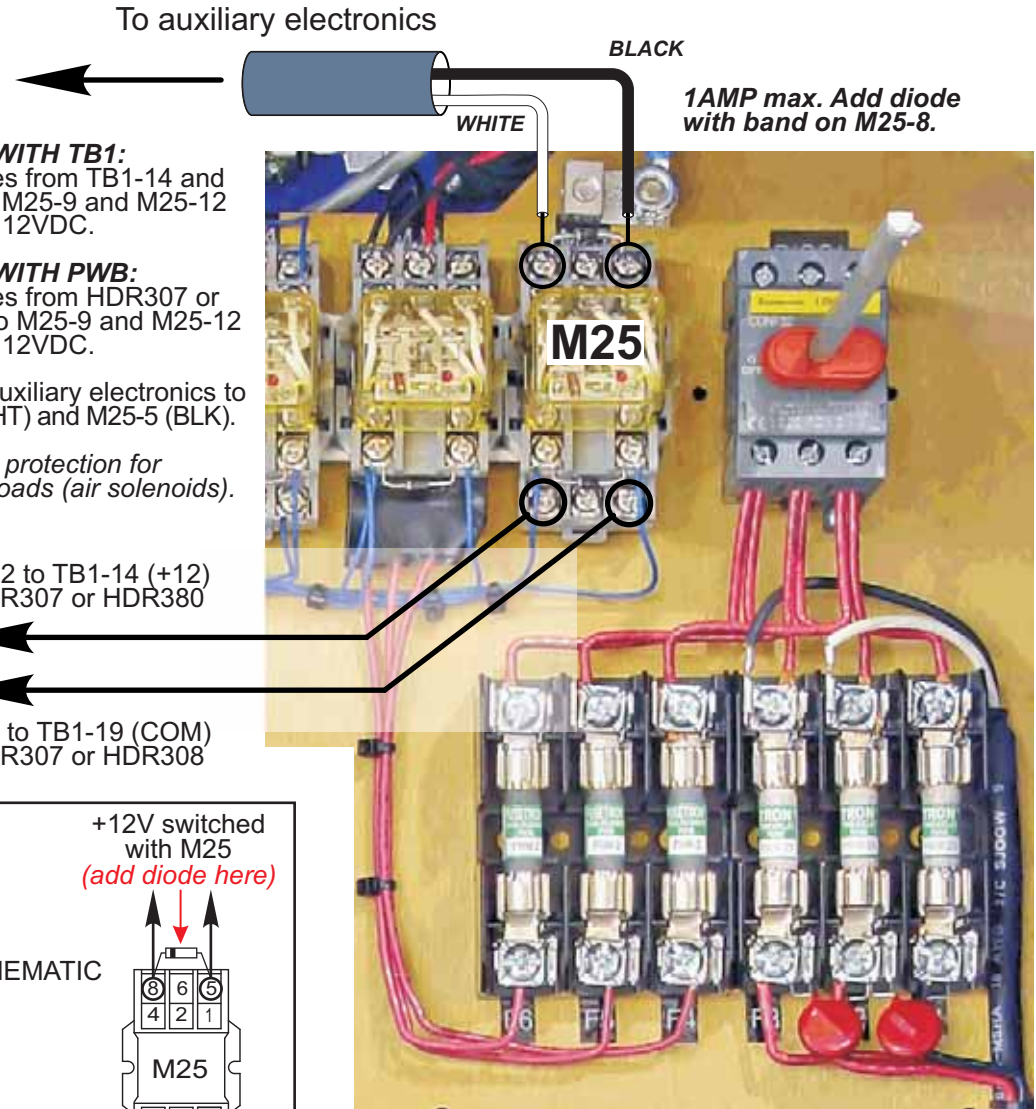
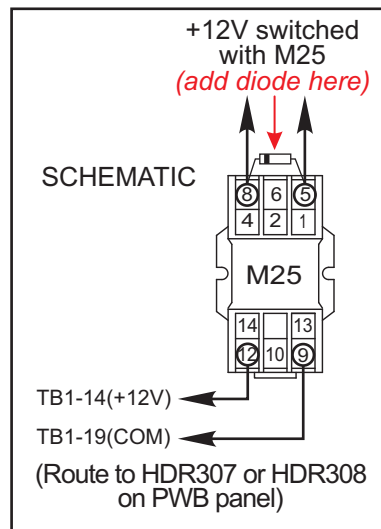
PANELS WITH PWB:
Route wires from HDR307 or HDR308 to M25-9 and M25-12 to provide 12VDC.

Connect auxiliary electronics to M25-8 (WHT) and M25-5 (BLK).

Use diode protection for inductive loads (air solenoids).

M25-12 to TB1-14 (+12)
or HDR307 or HDR380

M25-9 to TB1-19 (COM)
or HDR307 or HDR308



NOTE: If you find any wires on M25 relay except at 13 & 14, **DO NOT** continue installation!
Call (541) 332-7004 for assistance.