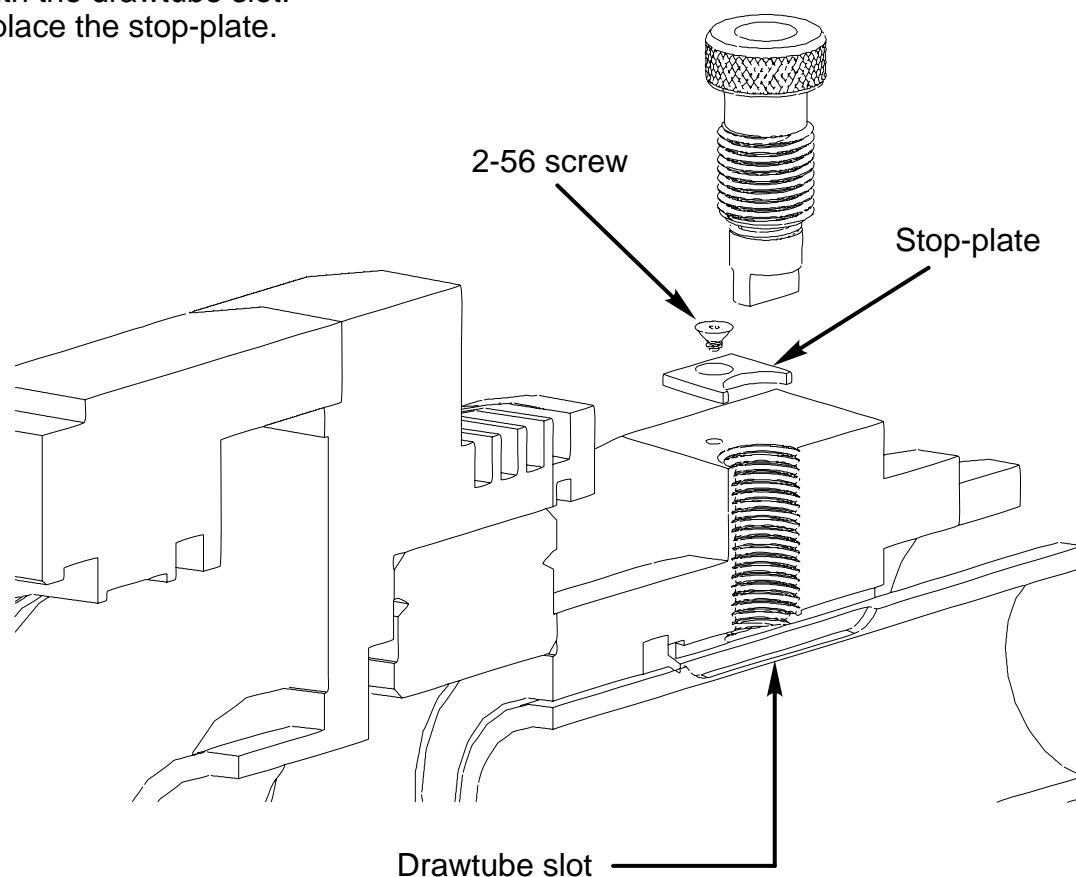


To replace the drawtube lock assembly:

1. Use 0.050 hex-key remove the 2-56 socket-head flat-head screw holding the stop-plate.
2. Unscrew the locking key assembly
3. Install the new locking key assembly; it may be necessary to use a 5/32 hex-key to align the flat on key with the drawtube slot.
4. Replace the stop-plate.



5/32 hex key
(if necessary to align
flat with drawtube slot)

